

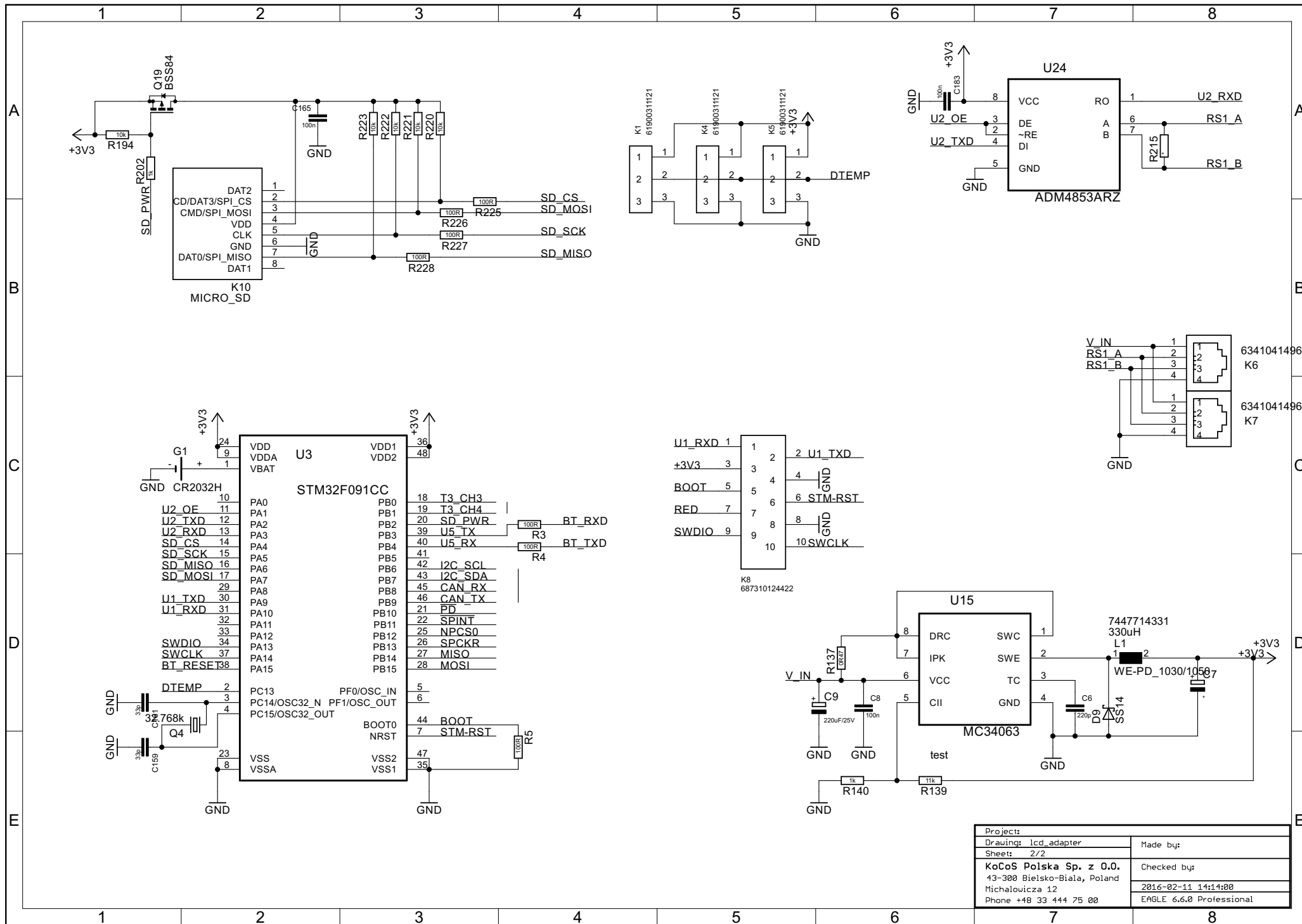
68714014022  
K2

GND	40
GND	39
GND	38
+3V3	37
GND	36
GND	35
LCD_R234	26
LCD_R333	25
LCD_R432	24
LCD_R531	23
LCD_R630	22
LCD_R729	21
GND	20
LCD_G228	11
LCD_G325	10
LCD_G424	9
LCD_G523	8
LCD_G622	7
LCD_G721	6
GND	5
LCD_B218	4
LCD_B317	3
LCD_B416	2
LCD_B515	1
LCD_B614	0
LCD_B713	0
GND	12
LCD_DCLK	10
DISP	10
LCD_HSYNC	10
LCD_VSYNC	10
LCD_DE	10
TSPX	6
TSPY	5
TSMX	4
TSPY	3
V_BL-	2
V_BL+	1

MSTBV2

J4-1	1	V_IN	1
J4-2	2	V_IN	2
	3	GND	3
	4	GND	4
	5	BT_RESET	5
	6	GND	6
	7	SPINT	7
	8	MOSI	8
	9	NPCSO	9
	10	SPCKR	10
	11	RESET	11
	12	U1_DCD	12
	13	BT_TXD	13
	14	BT_RXD	14
	15	U1_DTR	15
	16	GND	16
	17	U1_DSR	17
	18	U1_RTS	18
	19	U1_CTS	19
	20	U1_RI	20

Project:		
Drawing:	lcd_adapter	Made by:
Sheet:	1/2	Checked by:
KoCoS Polska Sp. z O.O.		2016-02-11 14:14:00
43-300 Bielsko-Biala, Poland		EAGLE 6.6.0 Professional
Michalowicza 12		
Phone +48 33 444 75 00		



Project:		Made by:	
Drawing: lcd_adapter		Checked by:	
Sheet: 2/2		2016-02-11 14:14:00	
KoCoS Polska Sp. z o.o.		ENGLE 6.6.0 Professional	
43-300 Bielско-Biala, Poland			
Michalowiczka 12			
Phone +48 33 444 75 00			